

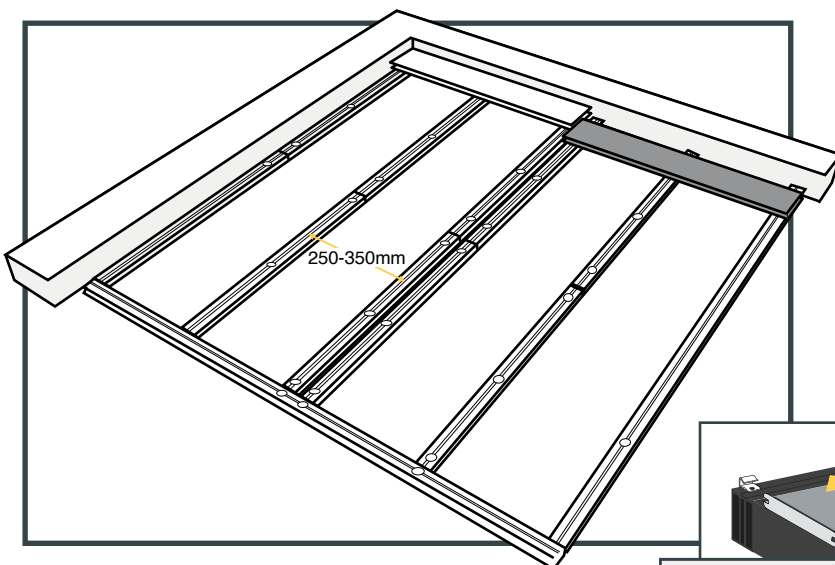
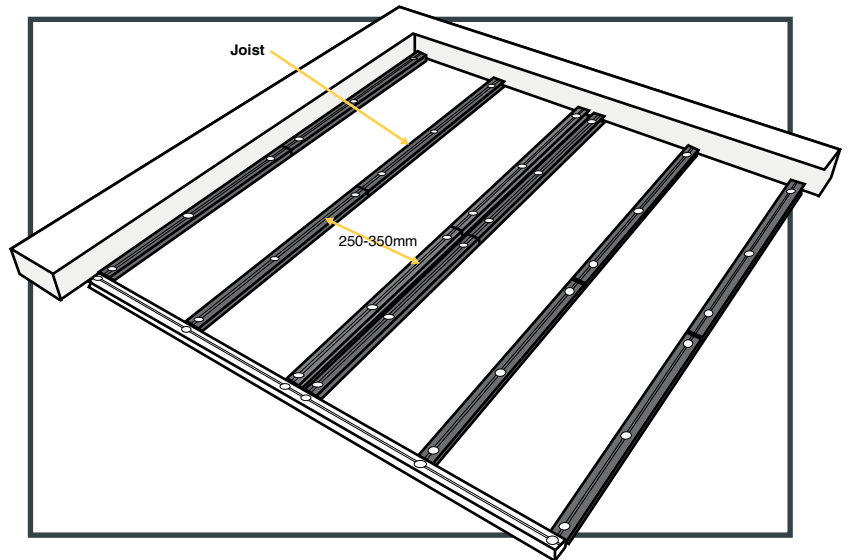
EvoTimber's 5-Step Installation Guide Makes Composite Decking Installation Simple

EvoTimber's decking products are best installed using our discreet clip system. A range of sturdy fixing clips discreetly secure our deck boards to a subframe, while expertly managing the effects of expansion and contraction. This guide covers decking installation in 5 simple steps, offering guidance on the key elements to consider when building your subframe and ensuring both the decking products and accompanying edging solutions are fixed securely.

1. Install Your Decking Framework With EvoTimber's Guidance

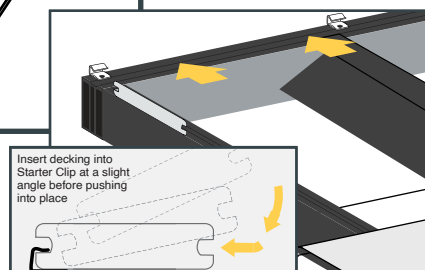
Installing your subframe according to EvoTimber's installation guidance is vital to ensure the longevity of the product. We recommend you follow the below guidance:

- Ensure adequate airflow by allowing for a continuous gap of at least 35mm beneath your EvoTimber® decking boards.
- Joists should be spaced between 250-350mm in order to ensure adequate structural support.
- Incorporating a drainage slope of 1:100 is advised in order to avoid water pooling and encourage water run-off.
- Incorporate double-joists where deck boards are expected to meet at butt-ends.



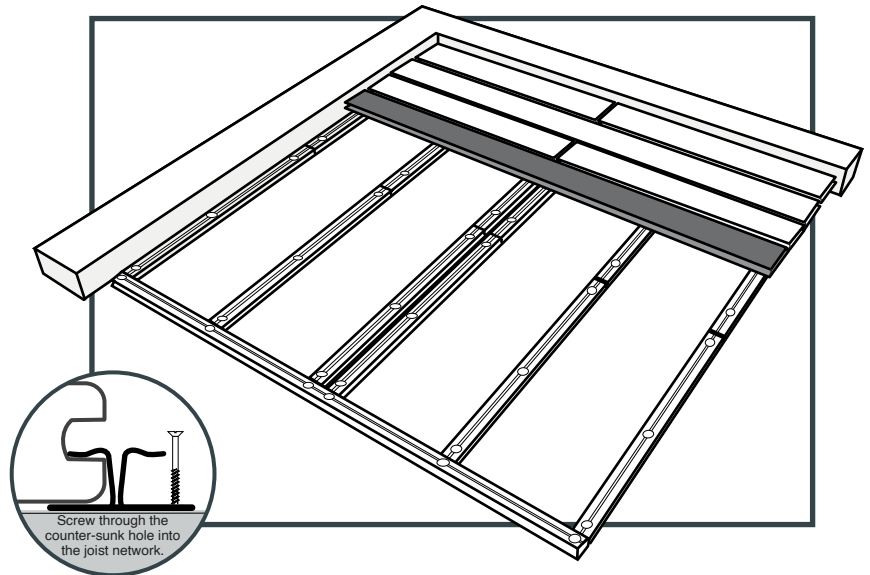
2. Mount Your First Run Of Decking With EvoTimber's Starter Clips

Starting at the outer edge of your decking framework, fix the EvoTimber® Starter Clips into each joist before the first decking plank is laid. Align the grooved edge of the deck board with the opening of the Starter Clip and simply slot the first run of deck boards into place.



3. Fix Your Remaining Deck Boards Using FastClips

Fix all subsequent boards to your subframe using our FastClips. Place the single pronged side of the clips into the exposed groove of the first board and securely fasten the clip by screwing into the joist through the countersunk hole of the clip. Ensure a secure fixing by installing FastClips at every intersection between a board and joist. Line up your second row of boards and align the grooved-channel with the opening of the clip and click into place. Repeat this process to secure all boards along your deck area.



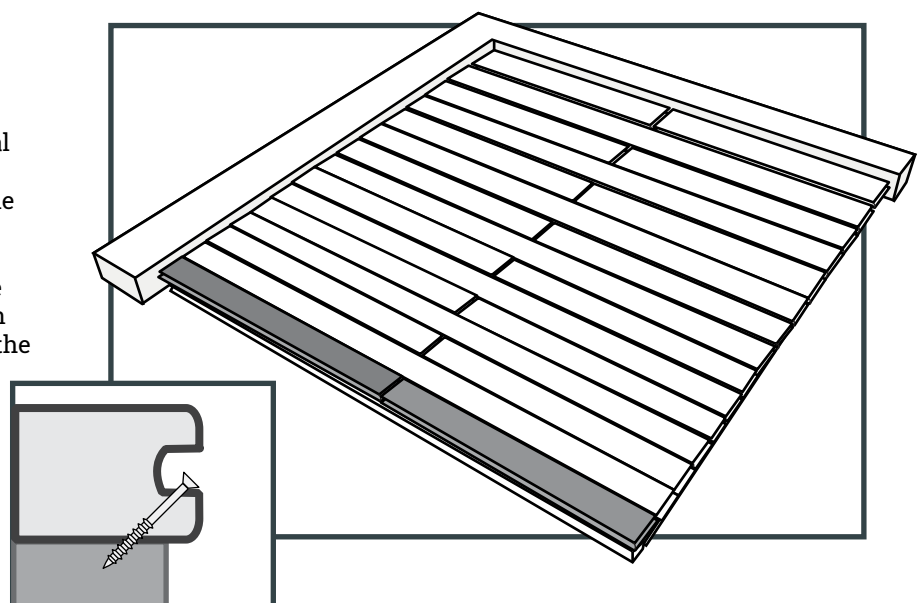
TEMPERATURE GUIDANCE TABLE

Outside Temperature	End-To-End Gap
Below 4°C	6mm
Between 4°C - 25°C	3mm
26°C or over	1mm

While EvoTimber's clips manage the side-by-side expansion between deck boards, it is vitally important that you ensure the relevant expansion end-to-end gaps are observed when installing your deck boards. As the boards are receptive to temperature, you must observe the end-to-end gaps as advised on our temperature guidance table.

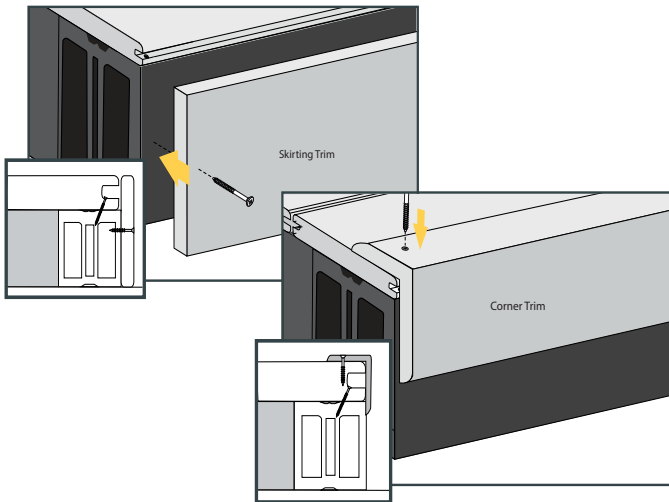
4. Attach Your Final EvoTimber® Board

Place the grooved-channel on the inside of the final board into the last row of FastClips. Once secured, pre-drill an oversized pilot hole at a 45-degree angle (when possible) into the grooved-channel on the exposed edge, as per the illustration below. Screw into the joist at 300mm intervals to securely fix the board to the subframe. If you are unable to fix down the grooved channel of the board, face fix through the surface of the deck board.



5. Install Your EvoTimber® Edging

Exposed edges of the deck boards can be finished with either an Edge Board, Skirting Trim, Corner Trim or a combination of these products. Below, we offer step-by-step instructions on how to fix our trim options and our Edge Board separately.



Fixing The EvoTimber® Trims

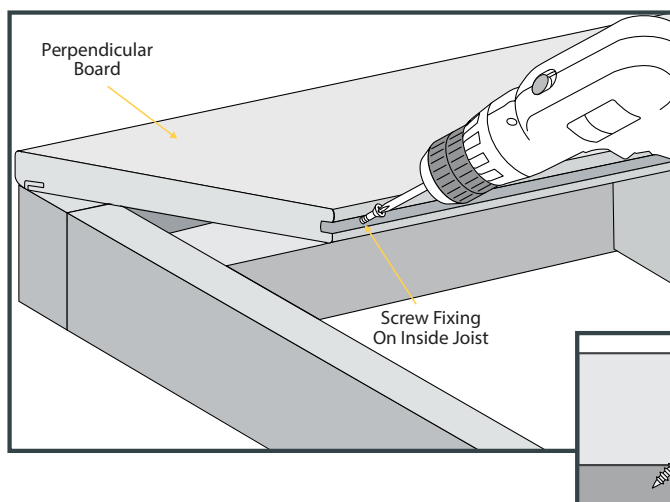
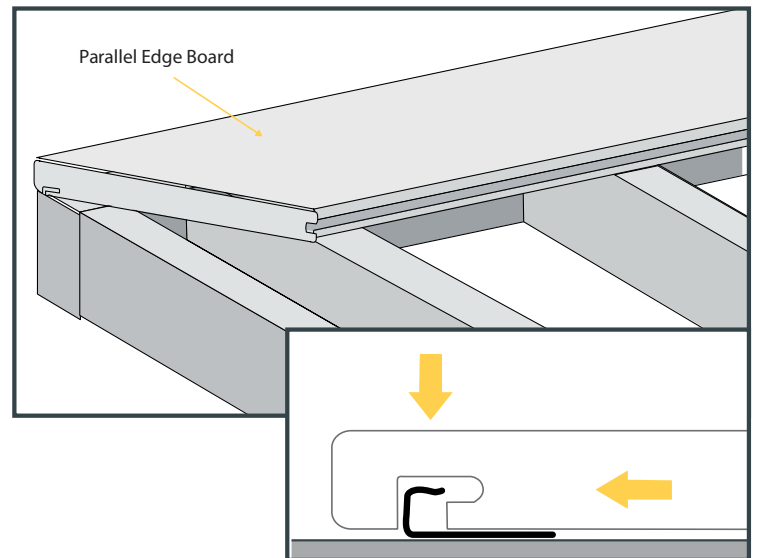
Edges of the deck boards can be finished with either a Skirting Trim or Corner Trim. Both the Corner and Skirting Trims can be screwed directly into joists or deck boards. It is advised that before doing so, an oversized pilot hole is drilled into the trim to ensure that it does not split or crack when screwed. Fix a 4mm x 35mm screw through the face of the trim to secure. When joining one trim to another, a minimum gap of 2mm should be left between trim ends, allowing for expansion.

Fixing The EvoTimber® Edge Board

EvoTimber® Edge Boards can be laid in a similar fashion to your deck boards and can be fixed using our Starter Clip, FastClip and a decking screw. The fixing method does differ depending on the orientation at which you are installing the product.

Installing The Edge Board Parallel To The Run Of Decking

When installing the Edge Board parallel to the main run of decking, begin by fixing a Starter Clip onto your outer joist and securely fasten the underside of the Edge Board to the clip, as demonstrated in the illustration. Once the outside of the Edge Board is fixed, fix a FastClip to the inside of the Edge Board and commence installation of your main run of decking.



Installing The Edge Board Perpendicular To The Run Of Decking

The method for fixing the outer edge of the Edge Board remains the same as installing the product on a parallel run (this is achieved by fixing the underside of the board with a Starter Clip). The inside of the Edge Board cannot be fixed using a FastClip and is instead done using a 5mm x 50mm decking screw in order to fix the inside of the board to your supporting joist. Pre-drilling the material prior to fixing is recommended.